



ATX™ FNLED SERIES NON-METALLIC LED LUMINAIRES

FEATURES

- Easy to retrofit in same mounting footprint as Appleton's FN series nonmetallic fluorescent luminaires.
- Full range of lumen outputs, with light distribution equivalent to Appleton's FN series fluorescent luminaires.
- Corrosion-resistant fiberglass reinforced polyester body and hinged polycarbonate lens.
- High impact resistance housing (20 Joules – IK10) from -30 °C to +55 °C (-22 °F to +131 °F) ambient temperature and wind profile for use in extreme offshore and onshore environments.
- 60,000+ hour LED life at 55 °C ambient for years of maintenance free operation.
- Lightweight design, hinged cover with captive screws, and terminal block wiring for easy installation and maintenance.
- Contemporary, low profile design suitable for tight spaces.
- Standard screw-type terminal block can accept 1 to 6 mm² wire.
- Field replaceable LED driver.
- Industry-leading thermal management for safe, reliable operation over wide temperature range.
- Universal, high efficiency, drivers cover voltage requirements for 120-277 Vac, 125-300 VDC, 50/60 Hz +/- 10%.
- High power factor electronic driver (>0.95).
- Standard 6kV surge suppression.
- M20 plug or M25 plug provided.
- Latch assembly and elastomer gasket seals against water and dust ingress, IP66.
- Easily accessed for maintenance using Hex or Allen key or straight blade screwdriver.
- Central opening with unique patented release system to prevent damage.

- Can be horizontally or vertically mounted.
- Available in 5000K and 4000K Color Temperatures
- Meets Photobiological Requirement for Risk Group 0 (RG0) at 0.25m mounting.

SUITABLE LOCATIONS

- For use in locations where:
 - Hazardous areas are designated as Zone 2, and 22
 - Where a high degree of corrosion resistance is required and protection against dirt, water and moisture is necessary.
- Typical applications include:
 - Oil refineries
 - Petrochemical facilities
 - Food processing plants
 - Waste and water treatment plants
 - Underground tunnels
 - General manufacturing facilities

STANDARD MATERIALS

- Housing: fiberglass reinforced polyester
- Lens: polycarbonate
- Gasket: elastomer
- Internal reflector: highly reflective white polycarbonate
- Mounting accessories available in different materials such as gray painted aluminum, zinc plated steel, galvanized steel or 316 stainless steel

ATEX/IEC EX CERTIFICATIONS AND COMPLIANCES

- Certification Type: FNLED
 - Gas: Zone 2
 - Conforming to ATEX 2014/34/EU: Ⓢ II 3 G
 - Type of Protection: Ex eb mb IIC Gc
 - Temperature Class: T5 to T3
 - Dust: Zone 22
 - Conforming to ATEX 2014/34/EU: Ⓢ III 2 D
 - Type of Protection: Ex tc IIIC Dc
 - Temperature Class: +60°C to +80°C (+140°F to 176°F)
- Ambient Temperature: -30 °C up to +55 °C (-22 °F up to +131 °F)
- Index of Protection according EN/IEC 60529: IP66.
- Impact Resistance (shock): IK10
- Photobiological Safety, IEC 62778 and IEC 62471: RG0 at 0.25m mounting.

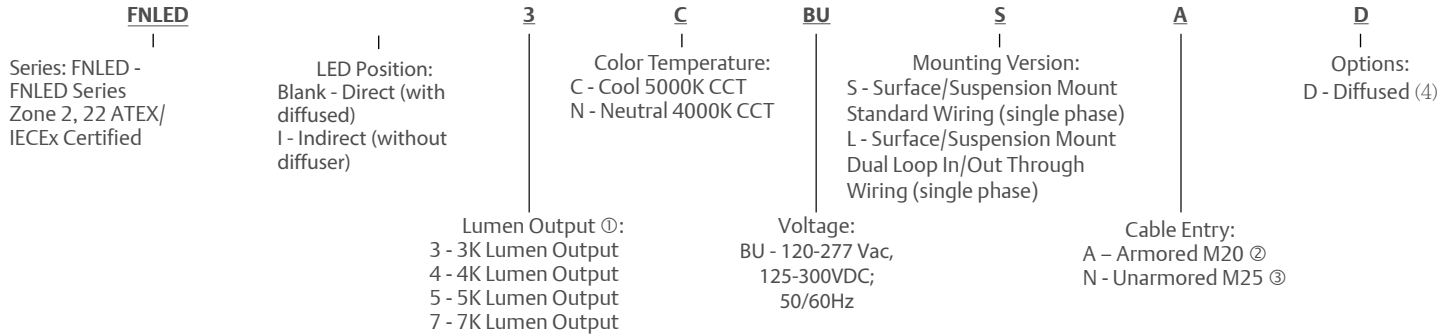
APPLETON™

For product information:
www.appletonelec.com
 1.800.621.1506



EMERSON. CONSIDER IT SOLVED.™

ATX™ FNLED SERIES NON-METALLIC LED LUMINAIRES



- ① All values displayed reflect typical values.
- ② Must order armored cable glands separately.
- ③ Cable glands provided in luminaires with unarmored hub entries.
- ④ Diffuser required for direct, not included with indirect.



United States: 1.800.621.1506 | Asia/Pacific: + 65.6556.1100 | Australia: + 61.3.9721.0348
 Canada: + 1.888.765.2226 | China: + 86.21.3338.7000 | Europe: + 33.3.22.54.13.90
 Mexico/Latin America: + 52.55.5809.5049 | Middle East/Africa/India: + 971.4.811.8100
www.appletonelec.com

Appleton Grp LLC d/b/a Appleton Group. The Appleton and Emerson logos are registered in the U.S. Patent and Trademark Office. All other product or service names are the property of their registered owners. © 2018, Appleton Grp LLC. All rights reserved.

Niedieckstraße 96, 41344 Nettetal, Tel.: +49 (0) 282 174 830 52, www.controlin.eu



EMERSON™

